

**Features**

- 33" (838) x 18½" (470) x 11" (279) undermount kitchen sink.
- Double (large/medium) compartments.
- Handcrafted from 14 gauge 304 stainless steel. Channel grooves in sink bottom direct water to drain. Premium brushed finish.
- Low 6"H divide.
- Beveled ledge around the top edge of the sink. The ledge allows cutting board, colander and other accessories to easily glide across the length of the sink.
- Exclusive SinkPocket™ in apron front is hidden from view and makes great storage for sponges, brushes and other kitchen tools used daily.
- Includes a stainless steel bottom sink grids, stainless covered flip-top sink and disposer strainers.
- Tight 3/16" (5mm) radius corners.
- Superior 7mm sound deadening pads.
- Fits 36" (914) minimum base cabinet width.

**Components**

- Product includes:
- TSGP33192 Bottom Sink Grid Set
  - 2210R Covered Sink Strainer
  - 4010 Covered Disposer Strainer
  - Cutout Template
  - Installation Hardware
  - Installation Instructions

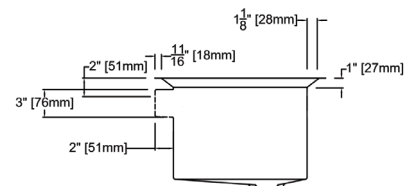
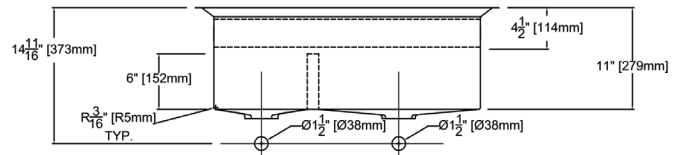
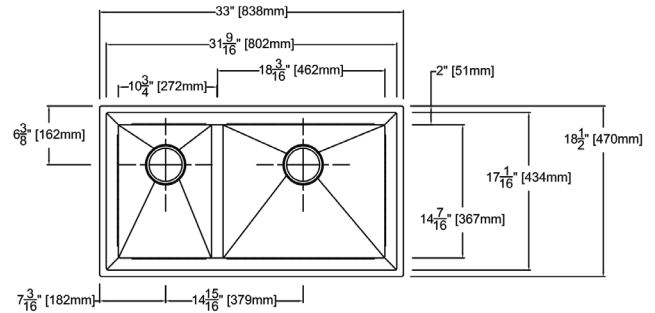
**Warranty**

- Lifetime Limited Warranty



**Specified Model**

Model	PUDO331911
Overall Dimensions	L33" x W18½" x D11" 838 x 470 x 279
Bowl Dimensions (Left)	L10¾" x W14⅞" x D11" 272 x 367 x 279
Bowl Dimensions (Right)	L18⅜" x W14⅞" x D11" 462 x 367 x 279
Drain holes:	3⅝" (92mm)
Shipping Weight	50 lbs.
Material	14 gauge 304 stainless steel
Installation	under counter mounted
Required	template, included



**Codes/Standards**

ASME A112.19.3/CSA B45.4

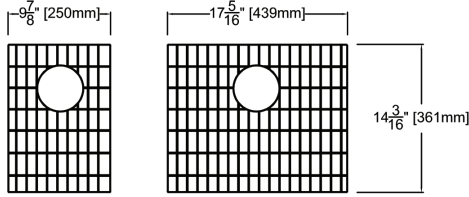
**Notes**

Install this product according to the installation instructions.

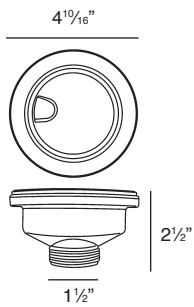
**Components**

Product includes:

**TSGP33182 Bottom Sink Grid Set**

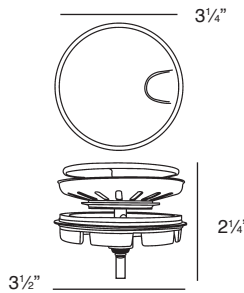


**2210R Covered Flip Top Sink Strainer.**



Water drains easily when cover is in place. Cover flips up with easy touch. Polypropylene housing. Fits standard 3½" opening.

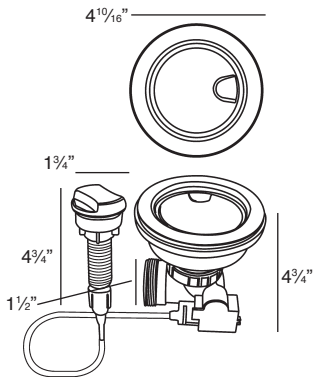
**4010 Covered Flip Top Disposer Strainer.**



Water drains easily when cover is in place. Cover flips up with easy touch. Polypropylene housing. Top mount installation for 3½" opening.

**Optional Accessories**

**2310 Remote Covered Flip Top Sink Strainer.**



Turn the remote knob to open and close drain. Water drains easily when cover is in place. Cover flips up with easy touch. Polypropylene housing. Fits standard 3½" opening. 1 3/8" hole required in countertop for remote installation. Remote cable 25½" L.